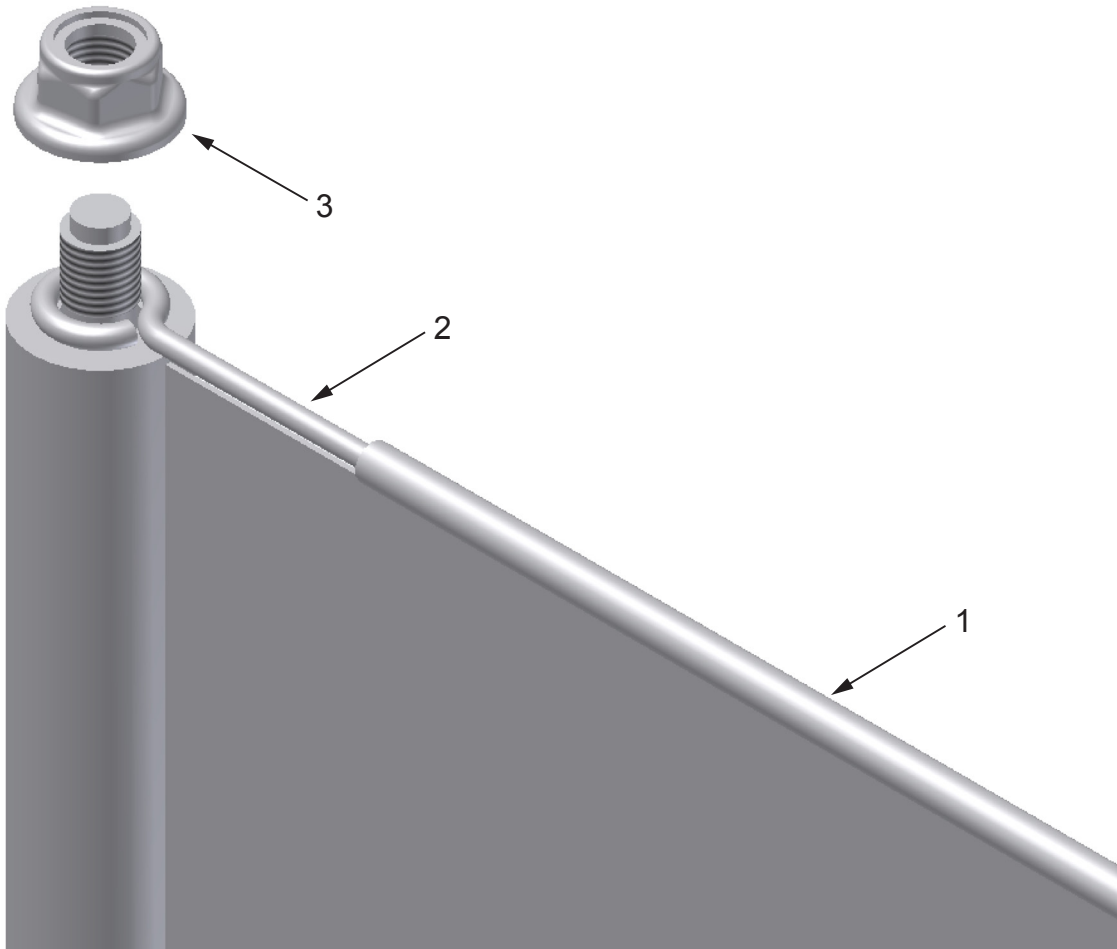


# VERTICAL RANGE FLAG



## Key Number/Part Number/Item Description/Quantity

1		Vertical Range Flag	1
2	60096	Rod-Vertical Range Flag	1
3	60095	3/8-24 Nylon Insert Hex Flange	1