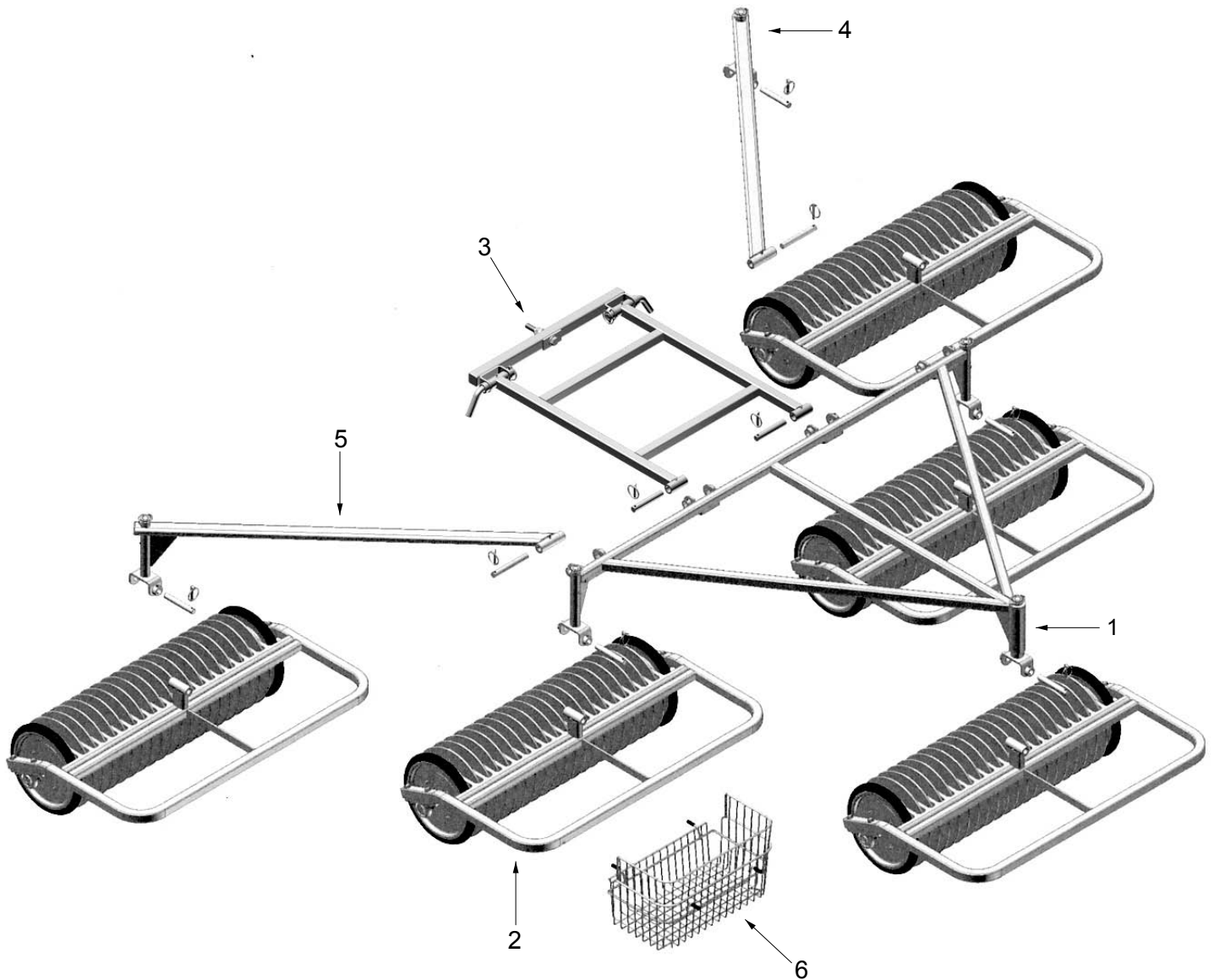


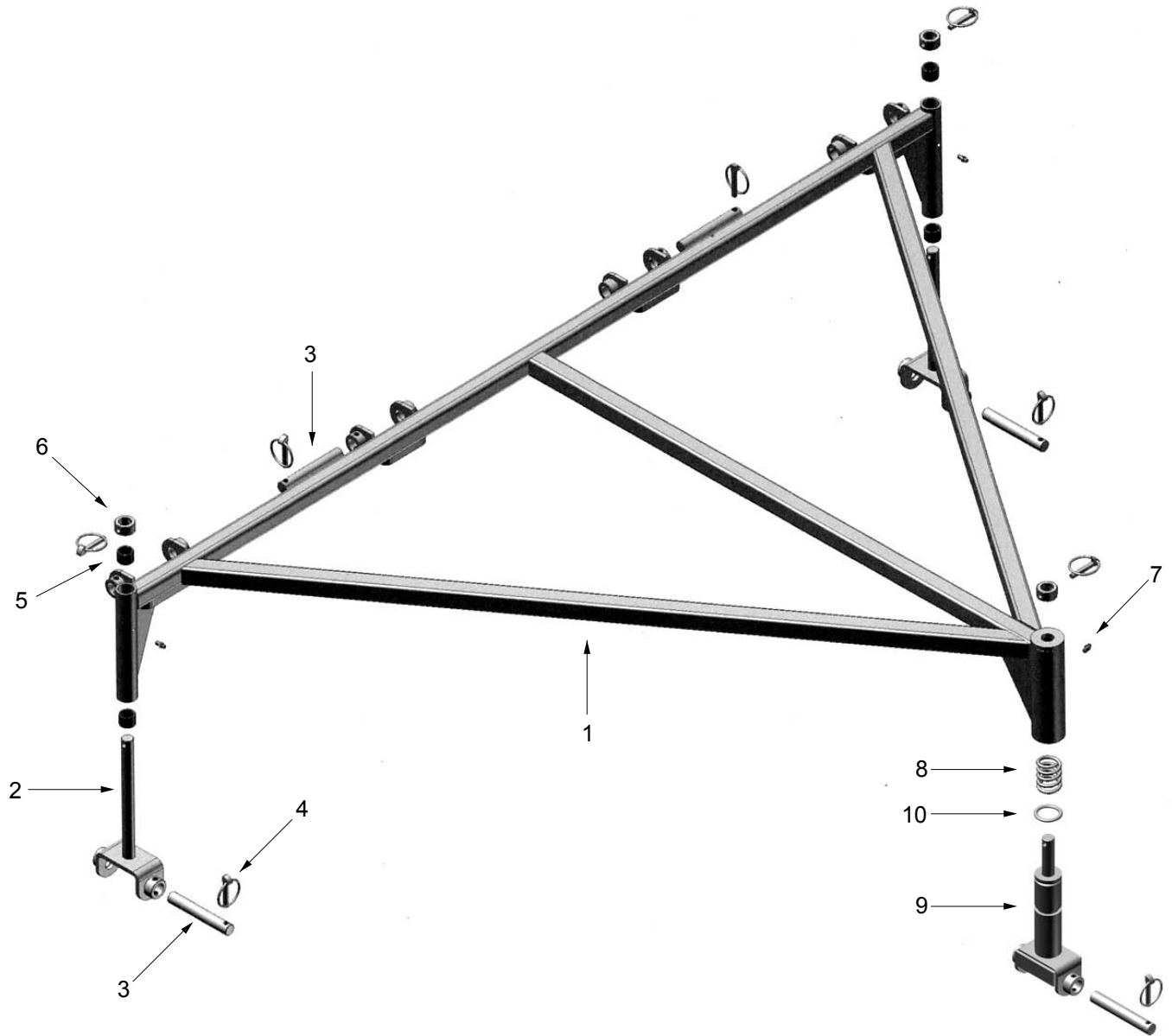
MAGNUM HARVESTER THREE AND FIVE GANG ASSEMBLY

85000 (Three Gang), 85100 (Five Gang)



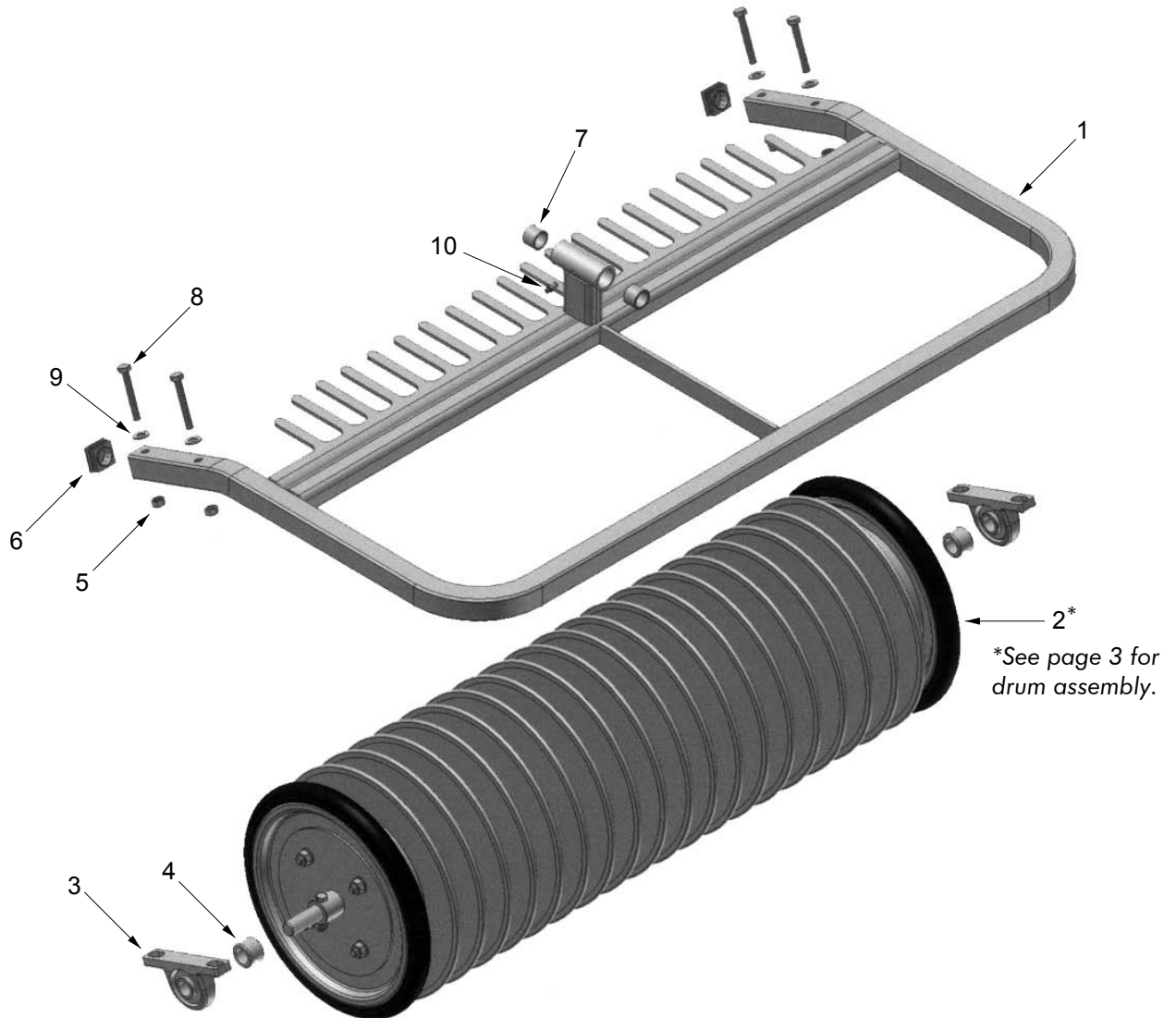
Key Number/Item Description/Quantity/Part Number/Page Number

1	A-Frame Assembly	1	83300	Page 1
2	Back Gang Assembly	3-5	80600	Page 2-3
3	Push Frame Mounting Assembly	1	80700	Page 4
4	Left Arm Extension Assembly (5 gang only)	0-1	80800	Page 5
5	Right Arm Extension Assembly (5 gang only)	0-1	80900	Page 6
6	Wire Basket	6-10	83119	Page 11



Key Number/Item Description/Quantity/Part Number

1	A-Frame	1	81200
2	Gang Pin	2	81300
3	Pivot Pin 3/4" (19mm) Dia.	5	83103
4	Safety Snap Ring	8	83123
5	Bushing	4	83101
6	Pin Collar	3	83102
7	Grease Zerks	3	
8	Spring	1	83115
9	Front Gang Pin	1	83200
10	Double-Seal O-Ring	1	83117

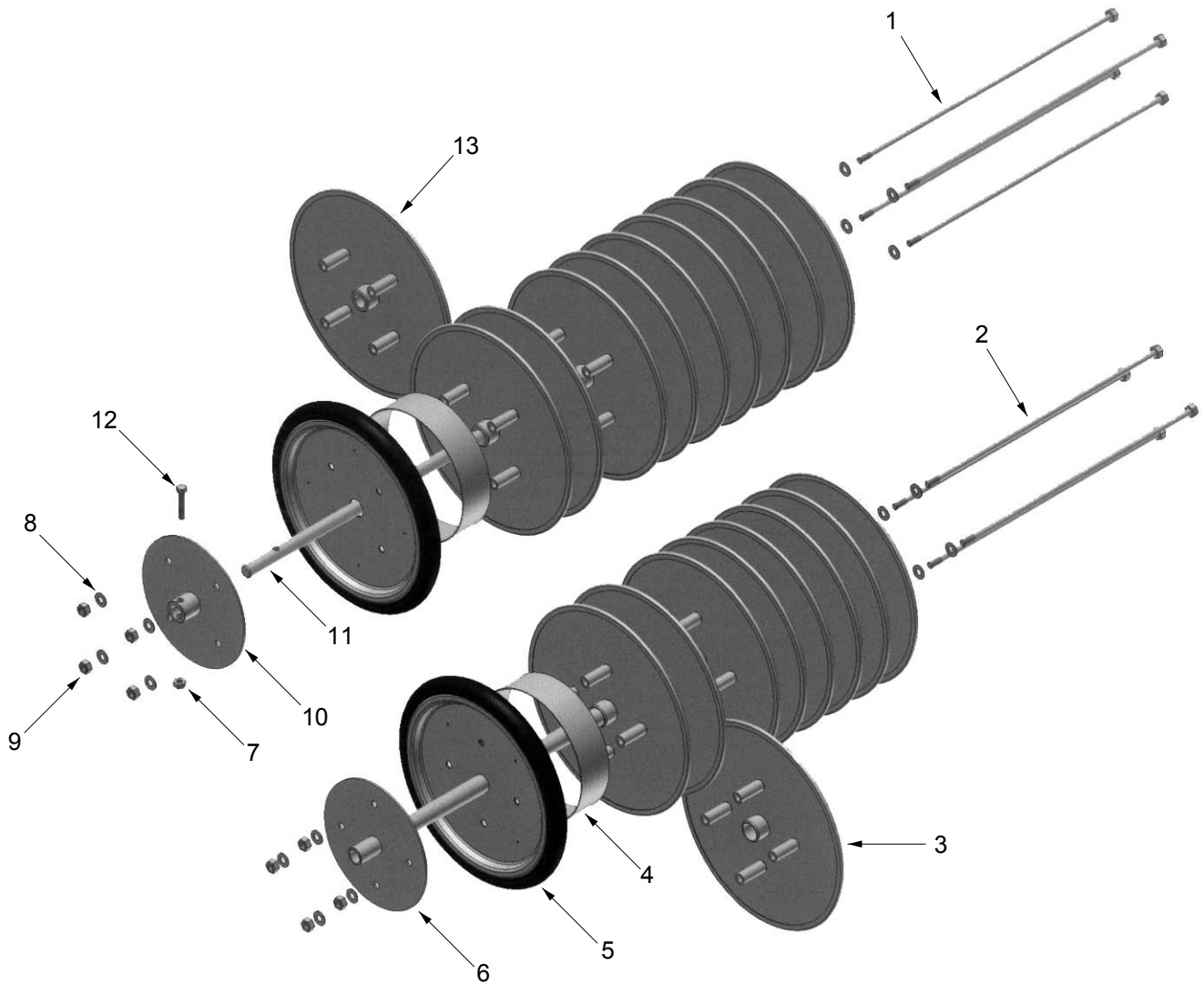


Key Number/Item Description/Quantity/Part Number

1	Back Gang Weldment	1	81900
2	Back Gang Drum Assembly	1	82000
3	Bearing Pillow Block	2	83116
4	Back Gang Drum Spacer	2	83111
5	3/8-16 Nylon Lock Nut (M10)	4	
6	End Cap	2	83120
7	Bushing	2	83101
8	3/8-16 X 2.50 Hex Head Bolt (M10-1.5 X 65mm)	4	
9	3/8 Dia. Flatwasher (M10)	4	
10	Grease Zerk	1	

MAGNUM HARVESTER BACK GANG DRUM ASSEMBLY

82000

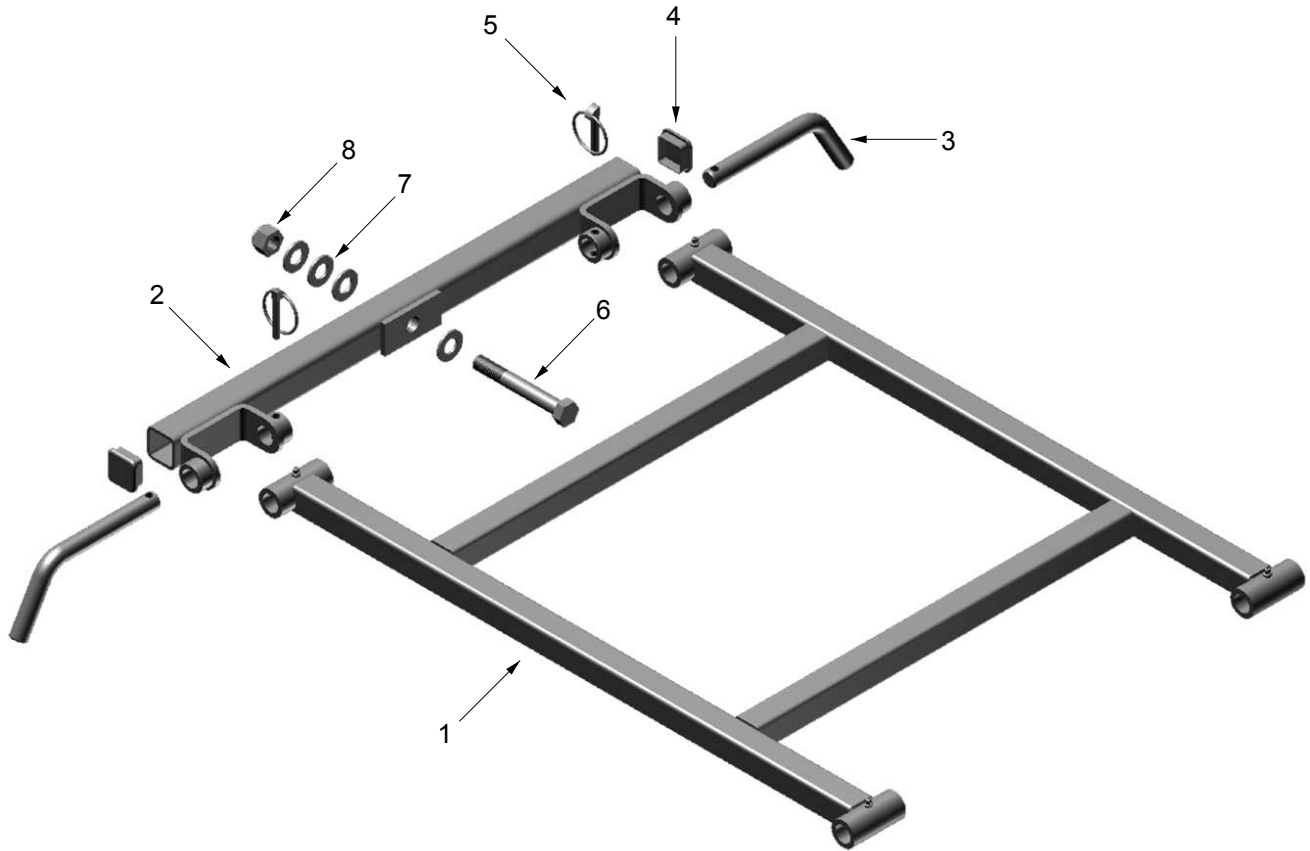


Key Number/Item Description/Quantity/Part Number

1	Back Tie Rod Weldment (10 Disc)	4	82100
2	Back Tie Rod Weldment (9 Disc)	4	82200
3	Plastic Disc (1.02 Dia. ID)	9	82001
4	Spacer	2	81501
5	Semi-Pneumatic Tire w/hub	2	81700
6	Axle Tube Weldment	1	82300
7	5/16-18 Nylon Lock Nut (M8)	1	
8	3/8 Dia. Flat Washer (M10)	16	
9	3/8-16 Nylon Lock Nut (M10)	8	
10	Hub Weldment	1	81600
11	Back Axle Shaft	1	82002
12	5/16-18 X 1-3/4 Hex Head Bolt (M8-1.25 X45mm)	1	
13	Plastic Disc (.76 Dia. ID)	10	81503

MAGNUM HARVESTER PUSH FRAME MOUNTING ASSEMBLY

80700

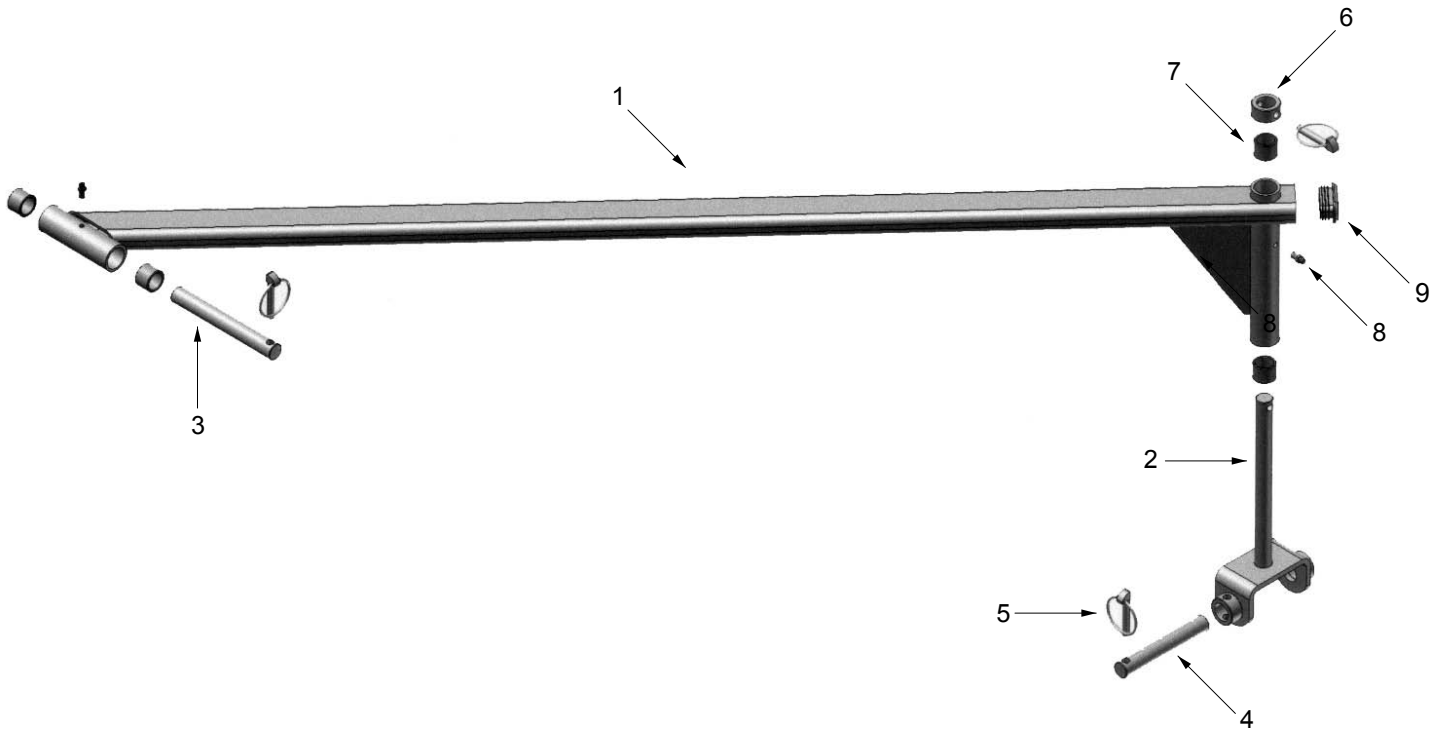


Key Number/Item Description/Quantity/Part Number

1	Push Frame	1	82500
2	Pivot Bracket	1	82400
3	Pull Pin Pivot Bracket 3/4" (19mm) Dia.	2	83124
4	End Cap	2	83118
5	Safety Snap Pin	2	83123
6	5/8-11 X 4-1/2 Hex Head Bolt (M16-2 X120mm)	1	
7	.625 Flatwasher	4	
8	5/8-11 Nylon Lock Nut	1	

MAGNUM HARVESTER LEFT ARM EXTENSION ASSEMBLY

80800

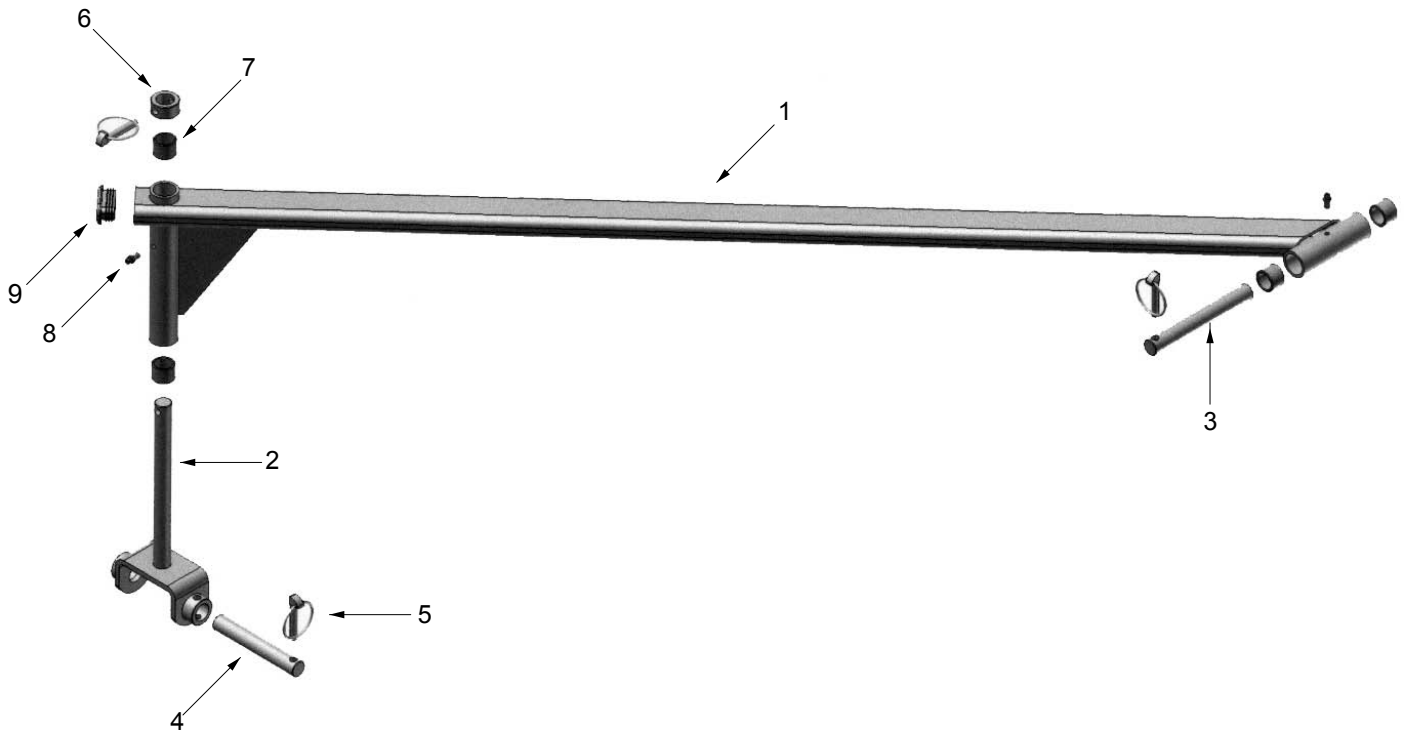


Key Number/Item Description/Quantity/Part Number

1	Left Arm Extension	1	82600
2	Gang Pin	1	81300
3	Extend Pin 3/4" (19mm) Dia.	1	83107
4	Pivot Pin 3/4" (19mm) Dia.	1	83103
5	Safety Snap Pin	3	83123
6	Pin Collar	1	83102
7	Bushing	4	83101
8	Grease Zerk	2	
9	End Cap	1	83122

MAGNUM HARVESTER RIGHT ARM EXTENSION ASSEMBLY

80900

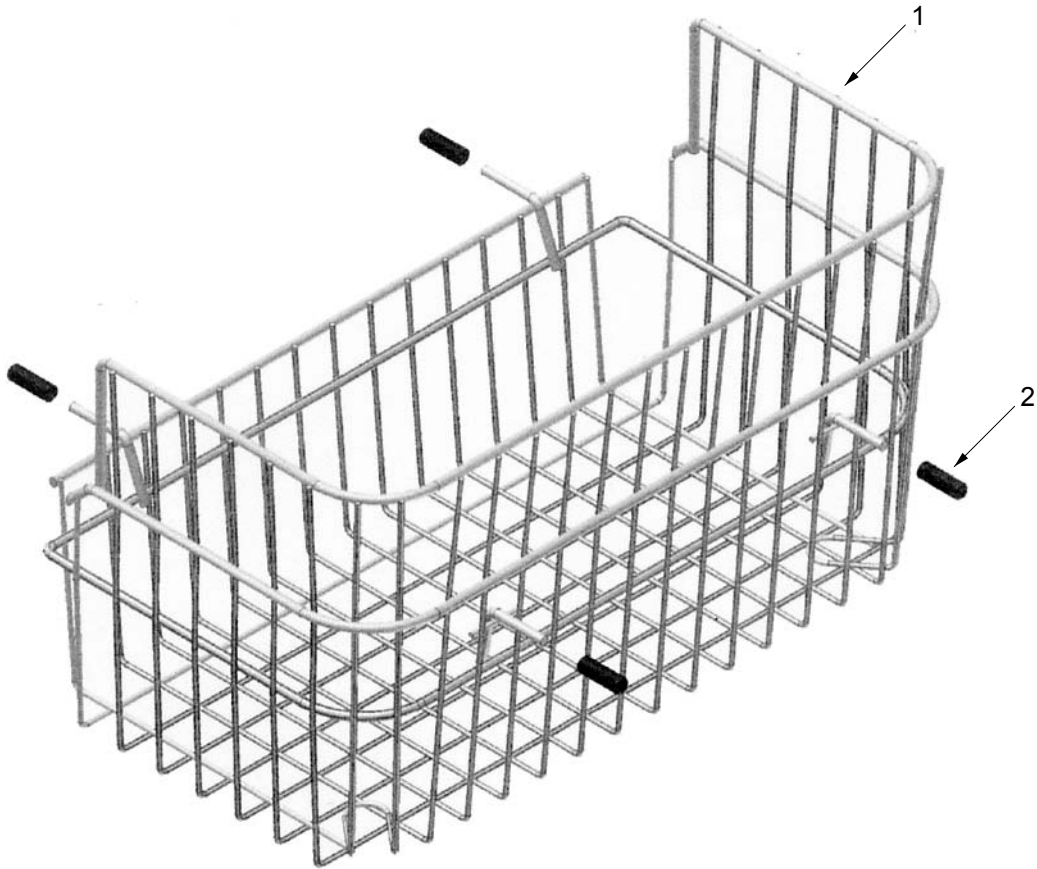


Key Number/Item Description/Quantity/Part Number

1	Right Arm Extension	1	82700
2	Gang Pin	1	81300
3	Extend Pin 3/4" (19mm) Dia.	1	83107
4	Pivot Pin 3/4" (19mm) Dia.	1	83103
5	Safety Snap Pin	3	83123
6	Pin Collar	1	83102
7	Bushing	4	83101
8	Grease Zerk	2	
9	End Cap	1	83122

MAGNUM HARVESTER WIRE BASKET ASSEMBLY

83119



Key Number/Item Description/Quantity/Part Number

	Wire Basket Assembly	1	83119
1	Wire Basket	1	
2	Rubber Tip	4	